

36 712 361



- 190mm projection
- fixed spout
- circular, air-enriched flow
- hole diameter valve 40 mm
- hole diameter spout 40 mm
- slide-on rosettes Ø 55 mm
- max. flow 4.5 l/min
- lead-free
- This product can help a building meet the requirements of Green Building Rating Systems, e.g. LEED®, BREEAM®, DGNB

Required miscellaneous



Concealed wall-mounted mixer centred spout -
 • max. recess depth 145 mm
 • min. recess depth 85 mm

35 700 970-90
0010

Required miscellaneous

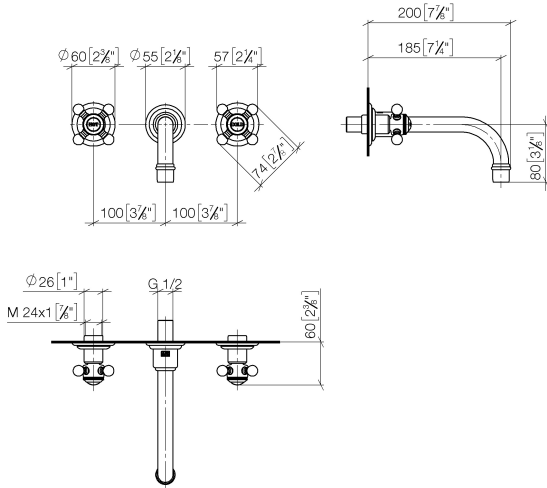


Concealed wall-mounted mixer variable positioning -
 • max. recess depth 145 mm
 • min. recess depth 85 mm

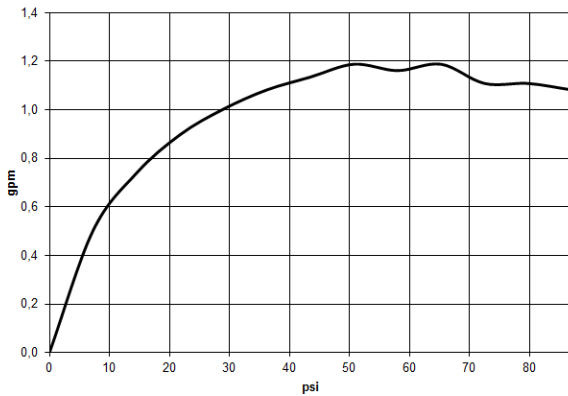
35 720 970-90
0010

36 712 361

mm [inches]



Flow rate chart



Codes & Standards

ADA

ASME
A112.18.1/CSA
B125.1

California Energy
Commission
(CEC)

NSF/ANSI 372

NSF/ANSI/CAN
61



MADISON Wall-mounted basin mixer without pop-up waste - Chrome

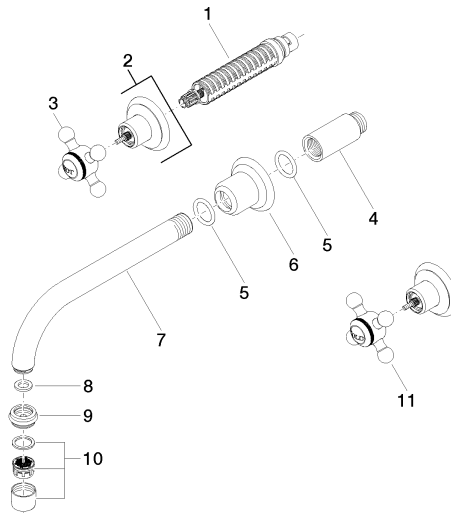
MADISON

36 712 361

Certificates

IAPMO_6397 (2).

36 712 361



98 712 361-FF 00 10

Spare parts list

No.	Item Number	Name	Quantity used	Delivery time
1	90 90 03 157 00 90	top	2	2
2	36 310 361-00	connection	2	10
3	04 20 36 100 01-00	handle (hot)	1	10
4	09 24 03 081 10 90	extension	1	2
5	90 14 10 026 00 90	seal	2	2
6	09 27 36 010-00	rosette	1	10
7	04 28 22 090 10-00	spout	1	10
8	90 14 05 020 00 90	seal	1	2
9	09 24 03 022 10-00	nipple	1	10
10	90 23 01 119 04-00	aerator	1	10
11	04 20 36 100 00-00	handle (cold)	1	10